



TELESCOPIC HANDLER

Sunward Intelligent Equipment Co., Ltd.

✉ international@sunward.cc

📍 Sunward Industrial Park, No. 1335 Liangtang Road (E), Xingsha, Changsha, Hunan, China

🌐 www.sunward.com.cn

Please read the operation and maintenance manual carefully first for proper use of the equipment. Sunward will make continual improvement, however, it may not be possible for us to inform you of all improvements to the products. This illustration is only used for reference and will be finally interpreted by Sunward.
Internal Use Only

GROUP PROFILE

Sunward was founded by Professor He Qinghua of Central South University in 1999. Started from a revolutionary innovative product - hydraulic static pile driver, now Sunward has developed into a listed company with Sunward Intelligent Equipment Co., Ltd. as the core and a Changsha based international business group with influences both at home and abroad. With the mission and vision of "developing into a world's value creator in the equipment manufacturing sector", Sunward has made comprehensive developments in three sectors, namely construction equipment, special equipment and aviation equipment. With a total asset of 18 billion yuan, Sunward now has become a leading enterprise of underground construction equipment in China and listed among the Top 50 Global Construction Machinery Manufacturers, Top 20 Global Excavator Enterprises, and Top 3 Global Regional Aircraft Leasing Enterprises.

Sunward has successfully developed more than 200 models in a dozen of sectors such as underground construction equipment, whole series excavator, modern rock drilling equipment, special equipment, mining equipment, lifting machinery, hydraulic parts and components, general aviation equipment, etc. and has high-end equipment products with independent intellectual property right and core competitiveness. Sunward's products have been exported to over 100 countries and regions in batches, and the Sunward trademark has been registered in over 100 countries in the world. Sunward owns more than 1,000 patented technologies, engages in 23 state-level programs, such as the 863 Program, the National Science and Technology Support Program, the Grassroots-level Development Program, etc., and has received dozens of rewards such as the Second Prize of the National Science and Technology Progress Award, etc. It has been rated or approved as a National Technological Innovation Demonstration Enterprise, a National Innovative Enterprise and other honorable titles or innovation platforms. On September 17, 2020, President Xi Jinping inspected Sunward, and highly praised Sunward's entrepreneurship of growing out of nothing and expanding from a small to a large company and Sunward's proactive spirit of innovation.



- 1999** Establishment of Sunward
- 2000** Rock drilling robots accepted for tunnels under a "863" major project
- 2001** Started the research and development of small excavators
- 2002** Approved with the self-managed import and export right
- 2003** Accredited as a national industrial base of hi-tech research and development results
- 2004** Listed in the Most Competitive 100 Hi-tech Enterprises in China
- 2006** Listed at Shenzhen Stock Exchange
- 2007** The first telescopic handler SWTH3514 rolled off the production line
- 2008** Won the International Design Excellence Awards - Gold Award for the loader-excavator
- 2009** Approved as a National Study and Work Station for Post-doctors
- 2010** Inspected by Li Keqiang, then Vice Premier of the State Council
- 2011** Inspected by Wen Jiabao, then Premier of the State Council
- 2012** Approved as a National Mobilizing Center of Engineering Machinery
- 2012** The first straight arm aerial work platform SWHT26 rolled off the production line
Mr. He received the title of "A Meritorious Equipment Entrepreneur of China"
- 2014** Inauguration of the National-level Engineering Practice and Education Center at Sunward
- 2015** Received an honorable title of the highest rank from China Construction Machinery Association
Obtained AAA in enterprise credit rating
- 2015** Grand opening of a subsidiary in Belgium - Sunward Europe Heavy Industry NV
Acquired Hua'an Foundation Engineering Co., Ltd.
- 2016** Acquired AVMAX, a Canadian company, to improve the industrial composition in the general aviation sector
Chairman He Qinghua received the title of Contemporary Inventor
- 2017** Listed in the Top 100 Enterprises of China's Machinery Industry
Awarded the national title of Intelligent Manufacturing Pilot Demonstration Project
- 2018** Off-road scissor aerial work platform series launched
- 2018** Listed in 2018 Top 50 Global Construction Machinery Manufacturers
- 2019** Electric scissor aerial work platform series launched
- 2020** Chairman He Qinghua was invited to record a special program Industry Landmarks of Dialog, a top program of China Central Television, the first joint presence of the four "giants" of the engineering machinery industry in Hunan.
- 2020** Articulated aerial work platform launched
- 2020** Inspected by President Xi Jinping, also General Secretary of the CPC Central Committee and Chairman of the Central Military Commission, on September 17, 2020

Creating a Global High-end Brand of Aerial Work Equipment



Main Features

SWTH series telescopic handlers are mechanical, electric and hydraulic integrated multi-functional handling and lifting logistic equipment of a new generation independently developed by Sunward, and their performance parameters have reached the international advanced level. They are an ideal and efficient loading, unloading and handling tool for the modern industry, construction industry and agriculture. The equipment has been widely used at factories, warehouses, terminals, construction sites, farms for cultivation, material yards, etc.



A Powerful Dynamic System

It is powerful, efficient in driving and stable in performance with hydrostatic drive, 4X4 drive, and a top configuration consisting of an imported engine, axle, gearbox, hydraulic elements, etc.

A Suspension System of Good Performance

It has a very good buffering and vibration damping effect when leveling with front axle and floating with rear axle, and the rigid locking function of the rear axle and the frame leveling function of the front axle can greatly improve the off-road performance and the driving comfort.

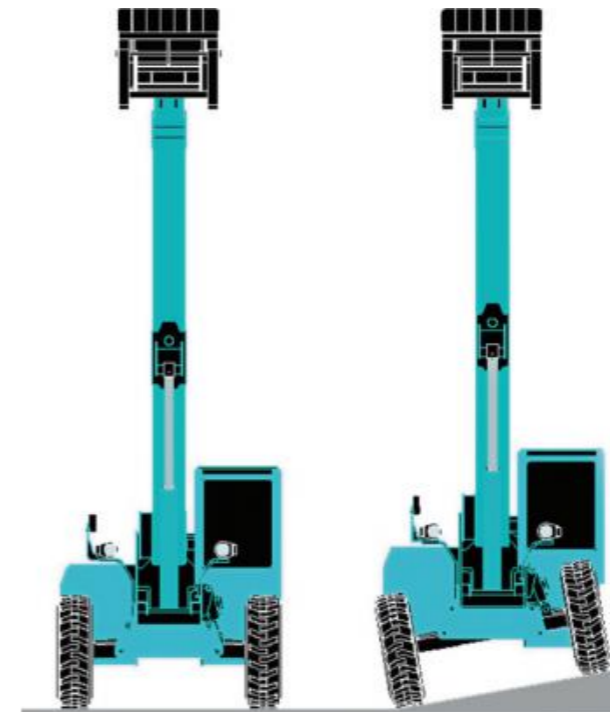
A Light and Flexible Steering System

Three steering modes (front-wheel steering, four-wheel steering, and crab steering) that can be randomly switched are provided to satisfy the requirements of various working conditions; moreover, the power-assisted steering function of the light and flexible hydraulic cylinder also greatly improves the maneuverability and the flexibility.

A Precise and Convenient Control System

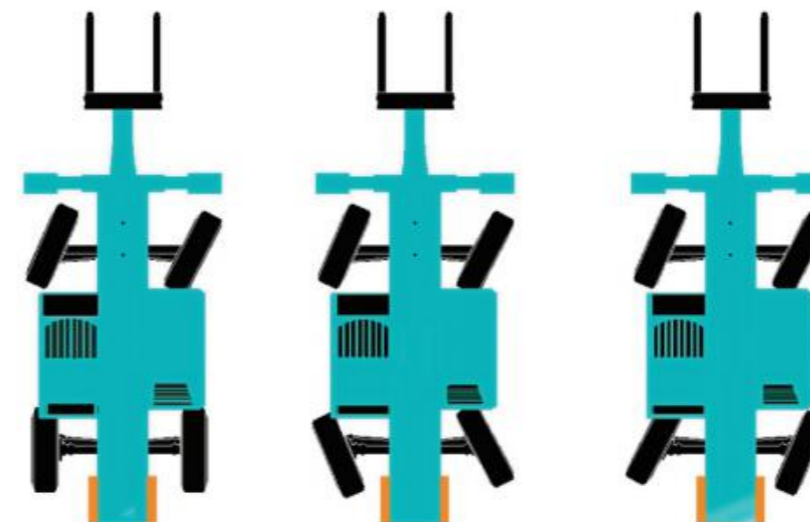
- 1.The intelligent electrically controlled accelerator is easy to operate.
- 2.The electro-hydraulic proportional control system with pressure compensation and load feedback prevents the working speed from being affected by load variations and keeps the system at a small power loss and good stability. The electric proportional control lever of excellent performance also entails good jogging control and stability of different movements, thus to greatly reduce the operation difficulty level for operators.

Frame Leveling Function

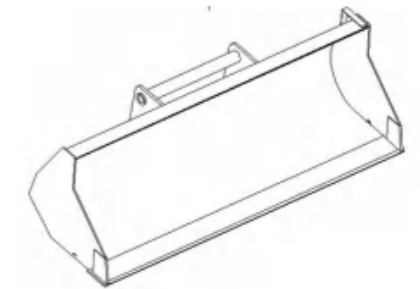


Three Steering Modes

Front-wheel Steering Four-wheel Steering Crab Steering



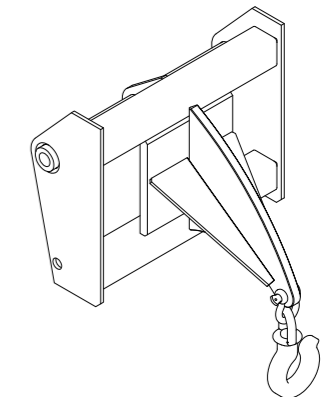
Optional Attachments



Bucket	
Overall dimensions: (LxWxH, mm)	2300×975×806
Weight: (kg)	372
Bucket capacity (L)	1000
Applicable model:	Products of SWTH series



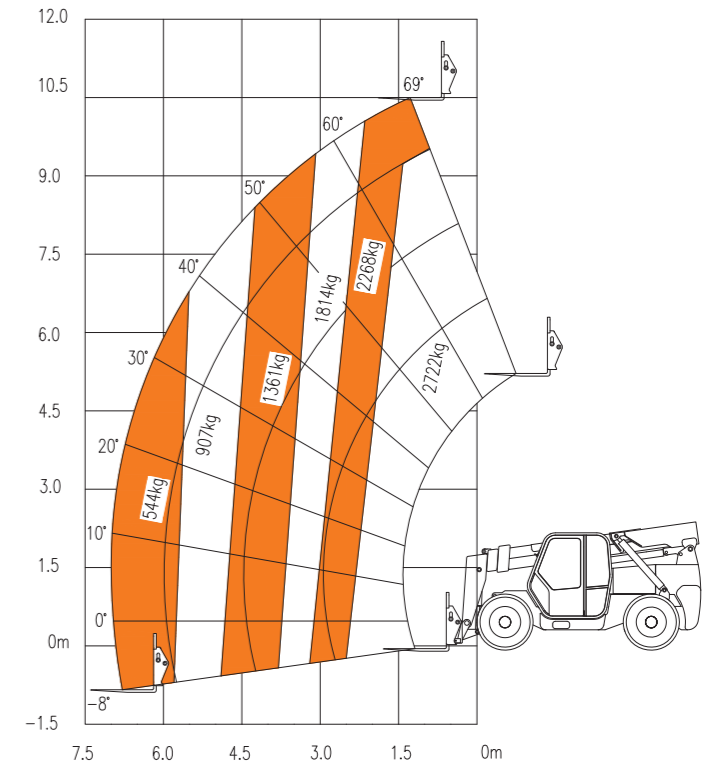
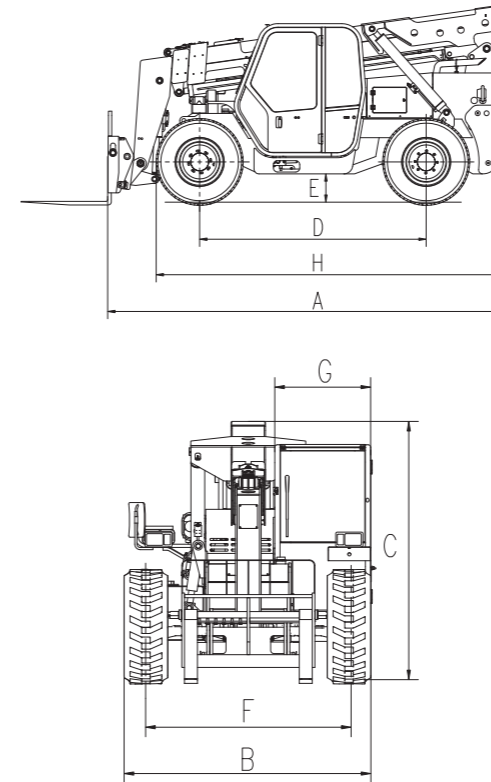
Lifting basket	
Overall dimensions: (LxWxH, mm)	2210×1466×1306
Weight: (kg)	470
Rated loading capacity: (kg)	365
Applicable model:	Products of SWTH series



Lifting hook	
Overall dimensions: (LxWxH, mm)	715×780×640
Weight: (kg)	165
Rated loading capacity: (kg)	3500
Applicable model:	Products of SWTH series



SWTH2710



Performance Parameters			
Overall dimensions (L×W×H)		mm	6100X2320X2400
Basic parameters	Overall weight (no-load)	kg	8100
	Rated bearing capacity	kg	2722
	Maximum lifting height	m	10.5
	Maximum extension length	m	7
	Loading capacity at maximum extension length	kg	544
	Ground clearance	mm	350
	Turning radius (outside)	m	3.8
	Traction force	kN	64
Actuation time	No-load lifting time	s	15
	No-load descending time	s	10
	No-load full retraction time	s	15
	No-load full extension time	s	13
Power train	Drive mode	Hydraulic driven	
	Gear stage (forward/backward)	3/3	
	Maximum travel speed	km/h	29
	Gradeability	%	60
Engine	Power	kW	55
	Maximum torque	N.m	315
	Oil injection method	Electronic injection	
	Cooling method	Water cooling	
System capacity	Hydraulic oil	L	140
	Fuel oil	L	140
	Engine oil	L	10
	Cooling system	L	12
Pallet fork	LxWxT	mm	1200X120X45
	Maximum distance between forks	mm	1040
	Rotation angle	°	117
Tire	Specification	16/70-20	

Dimensions			
A	Length to pallet fork	4900	mm
B	Width	2320	mm
C	Height	2400	mm
D	Wheel base	2800	mm
E	Ground clearance	350	mm
F	Wheel tread	1930	mm
G	Cab width	900	mm
H	Length to front wheel	4284	mm

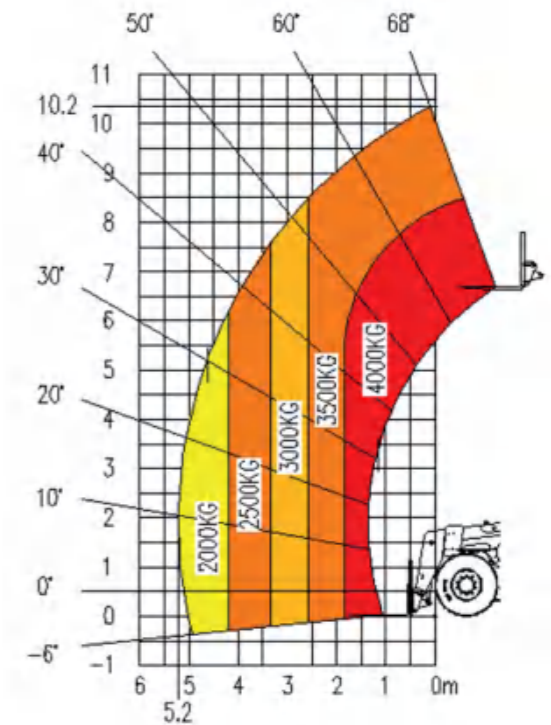
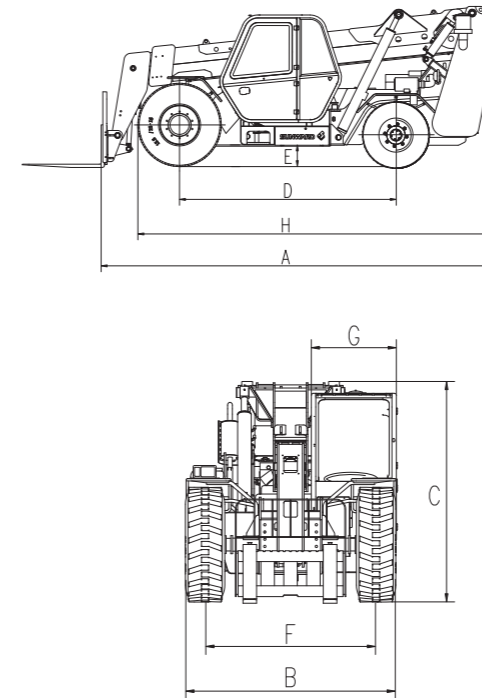
Configuration

Standard Parameters	
• Hydraulic pilot	• Hydraulic driven
• Four-wheel drive	• Three Steering Modes
• 3-section boom	• Work light
• Horn	• Flash alarm lamp
• Driving light	• Floating pallet fork
• Quick-change device	• Automatic leveling system of pallet fork
• Frame leveling system	• Oil pipe anti-blasting system
• Overturn protection system	• Back-off image
• Off-road pneumatic tire with tread pattern	• Enclosed cab

Optional Configuration	
• Bucket	• Clamp bucket
• Lifting basket	• Lifting hook
• Haystack fork	• Log clamp
• Cooling/heating air conditioning system	• Off-road airless tire with thread pattern



SWTH3910



Performance Parameters			
Basic parameters	Overall dimensions (L×W×H)	mm	7420×2320×2450
	Overall weight (no-load)	kg	10600
	Rated bearing capacity	kg	4000
	Maximum lifting height	m	10.2
	Maximum extension length	m	5.2
	Loading capacity at maximum extension length	kg	2000
	Ground clearance	mm	300
	Turning radius (outside)	m	5.06
	Traction force	kN	40
	Actuation time	No-load lifting time	s
No-load descending time		s	10
No-load full retraction time		s	14
No-load full extension time		s	12
Power train	Drive mode		Hydraulic driven
	Gear stage (forward/backward)		2/2
	Maximum travel speed	km/h	36
Engine	Gradeability	%	30
	Brand		Yuchai
	Model		YCD4J23T8-100
	Power	kW/rpm	73.6/2200
	Maximum torque	N.m/rpm	380/≤1650
	Oil injection method		Electronic injection
System capacity	Cooling method		Water cooling
	Hydraulic oil	L	180
	Fuel oil	L	140
	Engine oil	L	7.5
Pallet fork	Cooling system	L	15
	LxWxT	mm	1220×125×50
	Maximum distance between forks	mm	1200
Tire	Rotation angle	°	117
	Front wheel specification		15.5-25-16PR
	Rear wheel specification		9.00-20-11PR

Dimensions			
A	Length to pallet fork	mm	6200
B	Width	mm	2320
C	Height	mm	2450
D	Wheel base	mm	3300
E	Ground clearance	mm	300
F	Wheel tread	mm	1875
G	Cab width	mm	940
H	Length to front wheel	mm	5420
K	Width of outrigger erected on the ground	mm	-

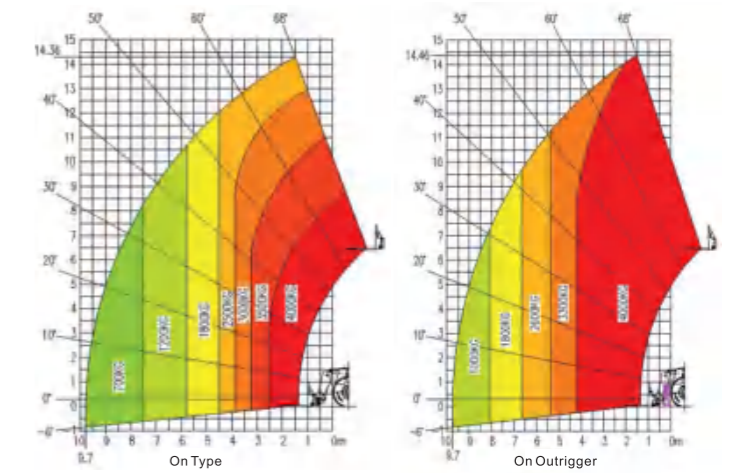
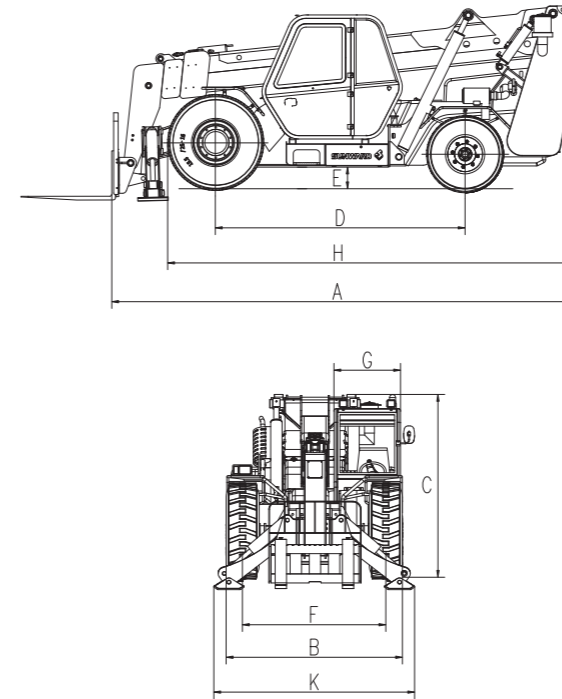
Configuration

Standard Parameters	
• Mechanical control	• Hydraulic driven
• Front-wheel drive	• Rear-wheel Steering
• 2-section boom	• Enclosed cab
• Electric fan	• Oil pipe anti-blasting system
• Horn	• Work light
• Driving light	• Flash alarm lamp
• Quick-change device	• Floating pallet fork
• Automatic leveling system of pallet fork	• Off-road pneumatic tire with tread pattern
• Cooling/heating air conditioning system	

Optional Configuration	
• Back-off image	• Bucket
• Clamp bucket	• Lifting basket
• Lifting hook	• Haystack for
• Log clamp	



SWTH3915



Performance Parameters			
Overall dimensions (L×W×H)		mm	7570×2320×2450
Basic parameters	Overall weight (no-load)	kg	12800
	Rated bearing capacity	kg	4000
	Maximum lifting height	m	14.46
	Maximum extension length	m	9.7
	Loading capacity at maximum extension length	kg	1000
	Ground clearance	mm	300
	Turning radius (outside)	m	5.06
	Traction force	kN	40
Actuation time	No-load lifting time	s	9
	No-load descending time	s	10
	No-load full retraction time	s	20
	No-load full extension time	s	16
Power train	Drive mode	Hydraulic driven	
	Gear stage (forward/backward)	2/2	
	Maximum travel speed	km/h	36
	Gradeability	%	30
Engine	Brand	Yuchai	
	Model	YCD4J23T8-100	
	Power	kW/rpm	73.6/2200
	Maximum torque	N.m/rpm	380/≤1650
	Oil injection method	Electronic injection	
	Cooling method	Water cooling	
System capacity	Hydraulic oil	L	180
	Fuel oil	L	140
	Engine oil	L	7.5
	Cooling system	L	15
Pallet fork	LxWxT	mm	1220×125×50
	Maximum distance between forks	mm	1200
	Rotation angle	°	117
Tire	Front wheel specification	15.5-25-16PR	
	Rear wheel specification	9.00-20-11PR	

Dimensions			
A	Length to pallet fork	mm	6350
B	Width	mm	2320
C	Height	mm	2450
D	Wheel base	mm	3300
E	Ground clearance	mm	300
F	Wheel tread	mm	1875
G	Cab width	mm	940
H	Length to front wheel	mm	5420
K	Width of outrigger erected on the ground	mm	2654

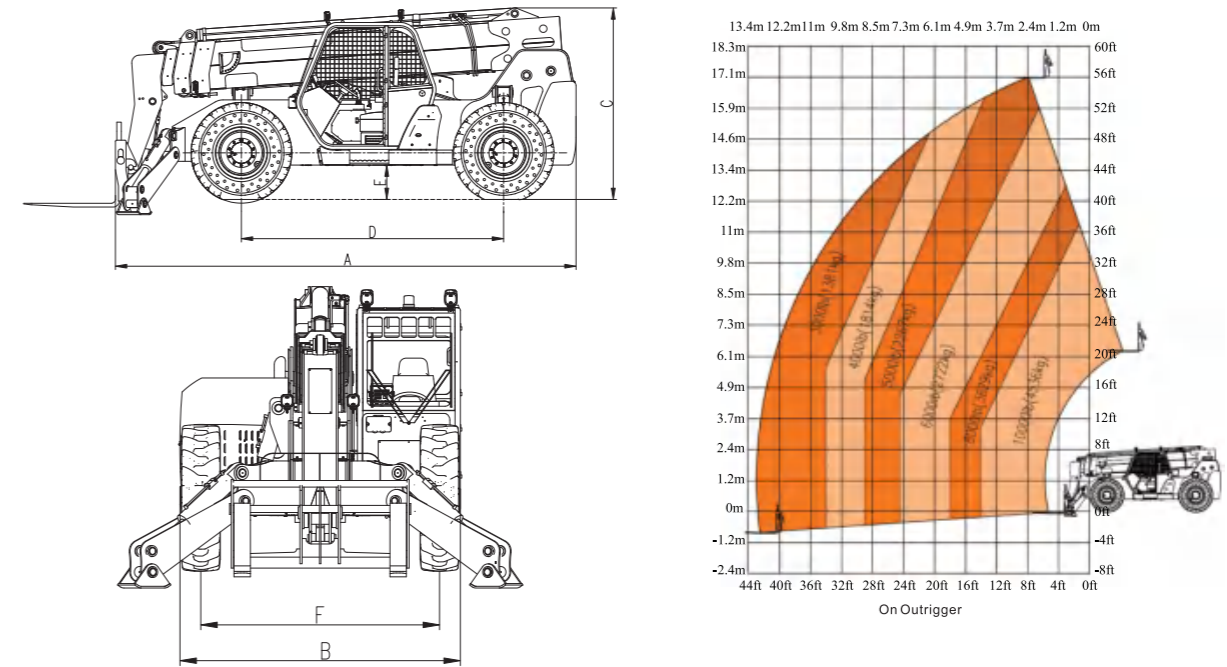
Configuration

Standard Parameters	
• Mechanical control	• Hydraulic driven
• Front-wheel drive	• Rear-wheel Steering
• 3-section boom	• Enclosed cab
• Electric fan	• Oil pipe anti-blasting system
• Horn	• Work light
• Driving light	• Flash alarm lamp
• Quick-change device	• Floating pallet fork
• Frog type outrigger	• Automatic leveling system of pallet fork
• Off-road pneumatic tire with tread patten	• Cooling/heating air conditioning system

Optional Configuration	
• Back-off image	• Bucket
• Clamp bucket	• Lifting basket
• Lifting hook	• Haystack fork
• Log clamp	• Single boom crane for stone
• Double boom crane for stones	



SWTH4517



Performance Parameters			
外形尺寸 (长×宽×高)		mm	7340×2560×2540
Basic parameters	Overall weight (no-load)	kg	15100
	Rated bearing capacity	kg	4536
	Maximum lifting height	m	17.06
	Bearing capacity at maximum lifting height	kg	2267
	Maximum extension length	m	13
	Loading capacity at maximum extension length	kg	1361
	Frame leveling angle	°	10
	Ground clearance	mm	457
	Turning radius (outside)	m	4.3
	Traction force	kN	111
Actuation time	No-load lifting time	s	14
	No-load descending time	s	13
	No-load full retraction time	s	17
	No-load full extension time	s	16
Power train	Drive mode	Hydraulic driven	
	Gear stage (forward/backward)	4/3	
	Maximum travel speed	km/h	32
Engine	Gradeability	%	63
	Brand	Cummins	
	Model	QSF3.8L	
	Power	kW	97
	Maximum torque	N.m/rpm	488
	Oil injection method	Electronic injection	
System capacity	Cooling method	Water cooling	
	Hydraulic oil	L	170
	Fuel oil	L	155
	Engine oil	L	12
	Cooling system	L	12
	Hydraulic transmission oil	L	15
Tire	Offset box lubricating oil	L	1.5
	Tubeless tire	400/75-28	

Dimensions			
A	Length to pallet fork	mm	6120
B	Width	mm	2560
C	Height	mm	2540
D	Wheel base	mm	3490
E	Ground clearance	mm	357
F	Wheel tread	mm	2160

Configuration

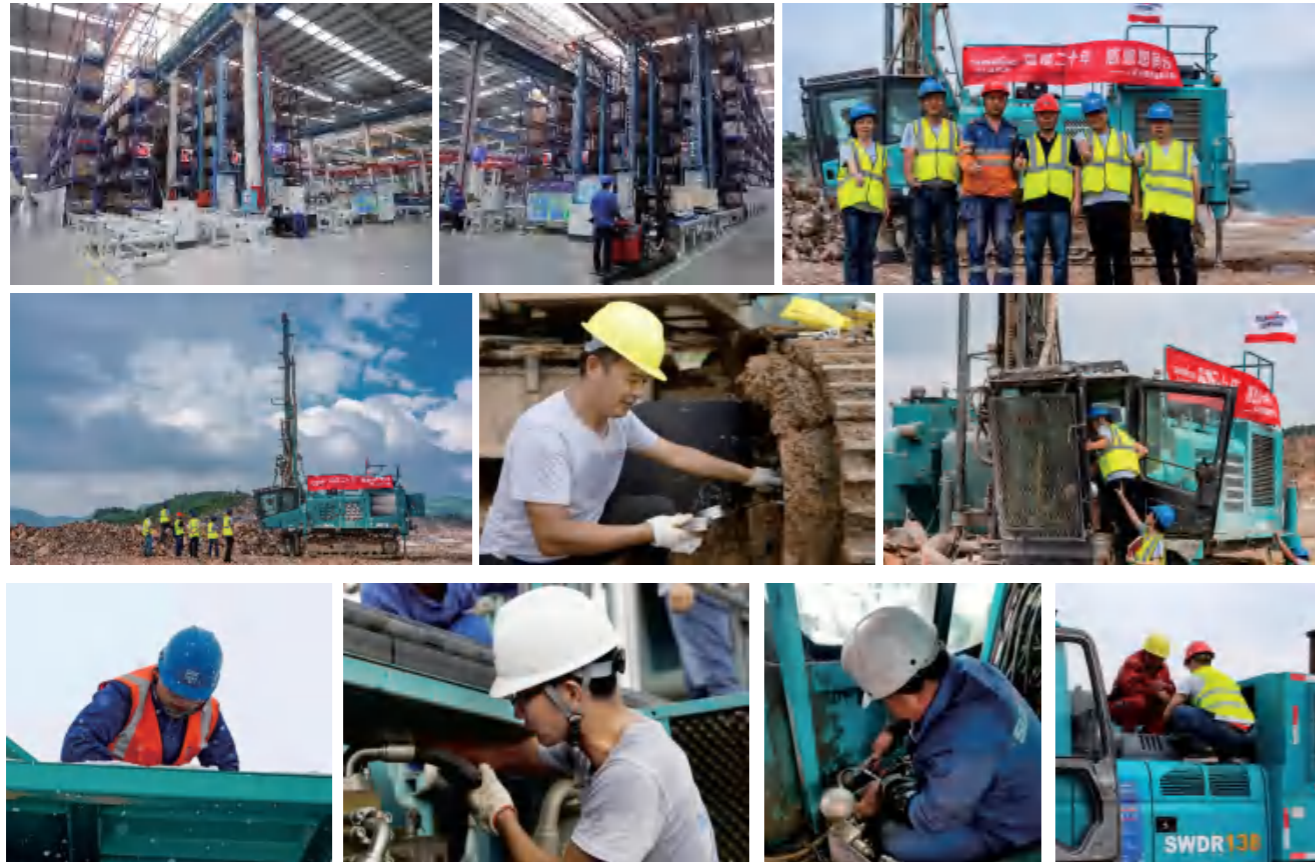
Standard Parameters			
• Electrically controlled handle	• Hydraulic driven	• Three Steering Modes	
• Four-wheel drive	• Electric fan	• LED work light	
• Back-off image	• Alarm lamp	• Quick-change device	
• Frame leveling	• Overload protection	• Off-road tire	
• Enclosed cab	• Cooling/heating air conditioning	• Windscreen wiper	
• Fender	• Glass		

Optional Configuration			
• Foam filled tire	• Airless tire		
• Lifting beam	• Boom brush		
• Lifting basket	• Vertical lifting/dropping and horizontal extension/retraction functions		
• Clamp			

After-sales Services

Efficient and quick after-sales services

Sunward's spare parts warehouses are located all over the country. A four-in-one spare parts supply guarantee system has been established, consisting of the HQ warehouse, regional central warehouses, provincial warehouses and prefecture-level warehouses, and stores more than 20,000 kinds of spare parts worth hundreds of millions of yuan. 800 front-line service engineers, 200 service outlets, 300 service vehicles, and hundreds of service consulting units ensure efficient and quick after-sales service.



24-hour hotline

If you have any problems, call the 24-hour after-sales service hotline 400-887-8230.



Reply within 15min

The after-sales service engineer will contact you within 15 min to learn about the equipment conditions and service requirements from you, provide guidance and solve problems by telephone.



Rush to site within one hour

If the fault cannot be properly handled on the telephone, the service engineer will carry maintenance tools to the site where the equipment is located for repair within one hour.

Create Values for Customer



Sunward obtained the import and export rights in 2001, and have exported products to more than 100 countries and regions in the world. Our professional agencies are distributed all over the world, and we have established a dozen of subsidiaries in countries such as Belgium, the USA, Russia, Cambodia, Laos, South Africa, Malaysia, the Philippines, Vietnam, Indonesia, Thailand, South Korea, etc., which have respectively set up their professional sales service team including local employees and established their core accessory warehouse, complete-machine warehouse and maintenance facilities.



Arrive in 2 hours

The engineer will get to the site within 2 hours in the city where the office is based, 12 hours inside the province and 48 hours outside the province.



Emergency response

In case of any emergencies, the service system will launch the rapid response mechanism, expert support mechanism and spare green channel.



Follow-up call

After the site service is completed, the call center of the headquarters of the Company will make a follow-up call for each service to track the quality and completed service, listen to the opinions and suggestions of customers, and feed them back to all functional organizations for implementation and improvement, so as to provide better service for customers.

