

SUNWARD

Machine weight: 21100kg
Standard bucket capacity: 1.0m³

Earthwork Expert **SWE215E-3H** Excavators of Same Tonnage Better Operating Efficiency

Generation E Energy-Saving Product:
High Configuration, High Efficiency, High
Reliability and Low Fuel Consumption

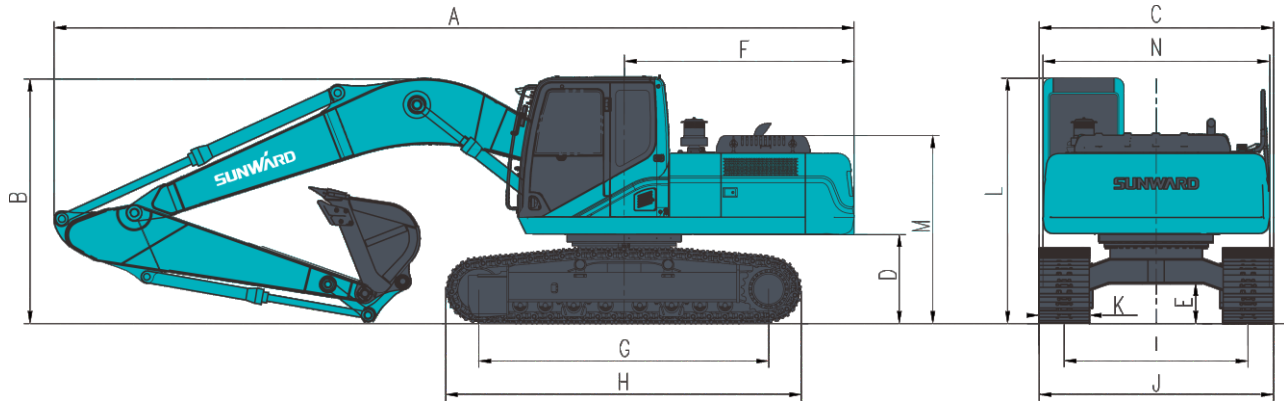


The self-developed ELAC adaptive load control technology ensures to bring the power and economic efficiency of the engine to the greatest extent.

With the patent-protected slewing flow adaptive matching technology, the energy loss in slewing is reduced.

Below an altitude of 4,000 m, the excavating efficiency does not decrease under any working condition.

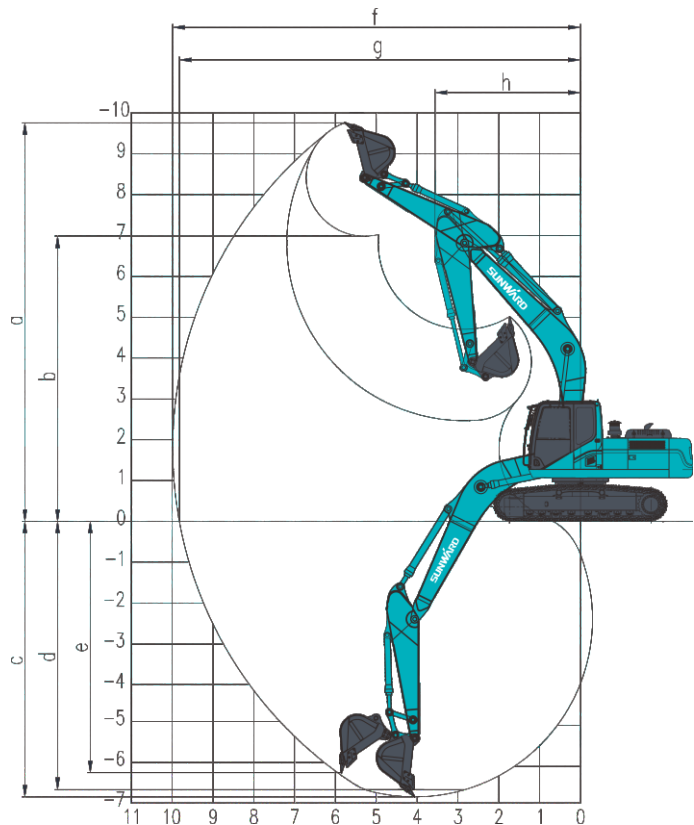
The multiple double arc buckets increase the loading capacity of each cycle by 10%.



Performance Parameters of Machine		
Model	Unit	Parameter
Operating weight	t	21.1
Standard bucket capacity	m ³	1.0
Engine		
Brand	/	Cummins
Model	/	QSB7
Type	/	Direct injection, four-stroke, turbocharged, inter-cooling
Rated power	kW/rpm	124/2050
Maximum torque	N·m/rpm	658/1200
Displacement	L	6.7
Hydraulic System		
Type of main pump	/	2 variable plunger pumps
Max. flow of main pump	L/min	2×225
Pressure of working device	MPa	31.4/34.3
Pilot pump type	/	1 gear pump
Max. flow of pilot pump	L/min	18
Pressure of pilot pump	MPa	3.9
Main Performances		
Slewing speed	rpm	11.5
Traveling speed	km/h	5.0/3.2
Gradeability	°	35
Ground pressure	kPa	46
Oil Tank Capacity		
Fuel tank capacity	L	370
Hydraulic oil tank capacity	L	250

Outline Dimensions (mm)			
Boom length	5700	G. Tread	3465
Arm length	2920	H. Track length	4260
A. Total length	9570	I. Track gauge	2200
B. Total height	2945	J. Width of lower body	2800
C. Total width	2800	K. Track shoe width	600
D. Ground clearance of counterweight	1060	L. Cab height	2945
E. Min. ground clearance	478	M. Machine hood height	2250
F. Tail swing radius	2750	N. Slewing platform width	2710

Working Range (mm)/Digging Force (kN)	
Boom length	5700
Arm length	2920
a. Max. digging height	9750
b. Max. unloading height	6980
c. Max. digging depth	6750
d. Digging depth (2.44 m, horizontal)	6560
e. Max. vertical digging depth	5900
f. Max. digging reach	9940
g. Max. digging reach at ground level	9775
h. Min. front swing radius	3560
Bucket digging force (ISO turbocharged)	155
Arm digging force (ISO turbocharged)	110



Due to updating of the product, the above parameters are subject to change without notice. In consideration of various optional configurations, all configurations shall be subject to the contract or the material object.

SUNWARD INTELLIGENT EQUIPMENT CO.,LTD.

Add: Sunward Industrial Park, No. 1335 Liangtang Road (E), Xingsha, Changsha, Hunan, China
 Tel: +86 731 8640 7779 E-mail: marketing@sunward.cc Web: www.sunward.com.cn