

Earthwork Expert

SWE155E-3H

◆Operating weight: 14.88t ◆Engine power: 93kW/2200rpm ◆Bucket capacity: 0.5~0.65m³



- Powerful, reliable and durable with high reserve power.
- Press-to-idle function to minimize fuel consumption.
- Complete with grease lubricated sealed track chain which is durable and maintenance-free.
- Integrated globe valve, which is easy to operate and reliable.



SWE155E-3H

Main Technical Parameters

Features and specifications

Specifications

Operating weight	t	14.88
Bucket capacity	m ³	0.61

Engine

Brand		Cummins
Model		QSF3.8
Type		Four-stroke, supercharging, inter-cooling, direct injection
Power	kW/rpm	93/2200
Maximum torque	N·m/rpm	500/1200
Displacement	L	3.76

Hydraulic System

Type of main pump		Duplex variable displacement piston pump
Maximum flow of main pump	L/min	2×126.4
System pressure	MPa	31.4/34.3
Type of pilot pump		1 gear pump
Maximum flow of pilot pump	L/min	20
Pressure of pilot pump	MPa	3.9

Performance

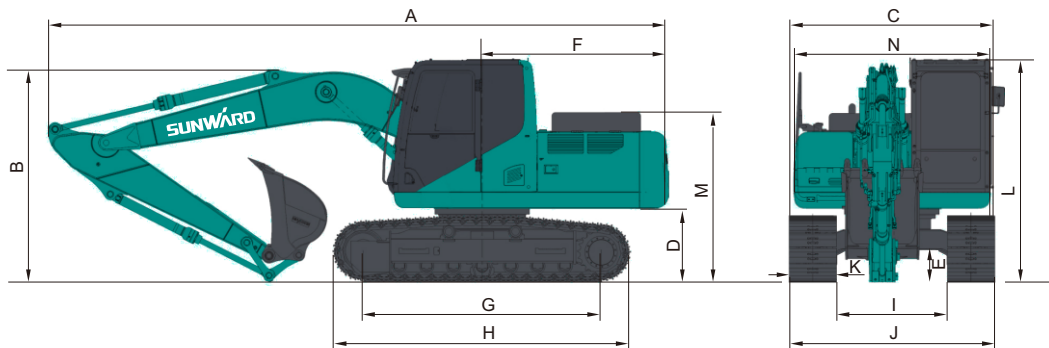
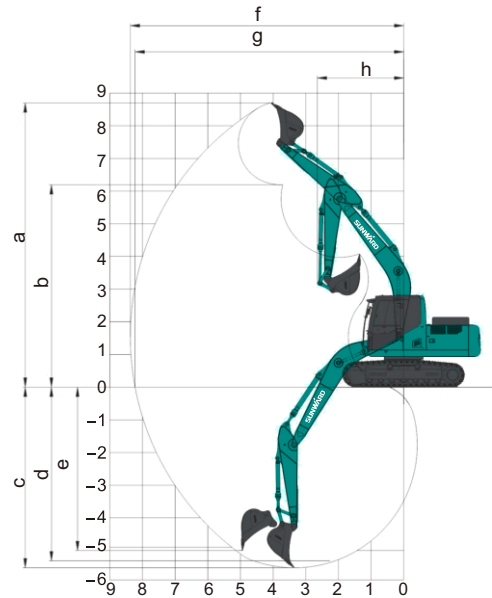
Rotating speed	rpm	11
Traceling speed	km/h	5.3/3.2
Gradeability	°	35
Track width	mm	600
Ground pressure	kPa	36.8

Tank Volume

Fuel tank volume	L	245
Hydraulic liquid tank volume	L	150

Working range and digging capacity

a	Max. digging height	mm	8700
b	Max. unloading height	mm	6200
c	Max. digging depth	mm	5525
d	Digging depth (2.44m horizontal)	mm	5310
e	Max. vertical digging depth	mm	5000
f	Max. digging distance	mm	8370
g	Max. digging reach at ground level	mm	8225
h	Min. front swing radius	mm	2645
Digging force of bucket (ISO supercharging)		kN	100
Digging force of arm (ISO supercharging)		kN	76



Dimensions

Boom length	mm	4600	G	Ground contact length of track	mm	3000	
Arm length	mm	2500	H	Track length	mm	3765	
A	Overall length	mm	7825	I	Track gauge	mm	2000
B	Overall height	mm	2825	J	Track width	mm	2600
C	Overall width	mm	2600	K	Width of track link	mm	600
D	Ground clearance of counterweight	mm	940	L	Cab height	mm	2825
E	Minimum ground clearance	mm	410	M	Height of machine hood	mm	2145
F	Tail swing radius	mm	2355	N	Width of turntable	mm	2490

★ The above parameters may change due to product update

SUNWARD INTELLIGENT EQUIPMENT CO.,LTD.

Add: Sunward Industrial Park, No. 1335 Liangtang Road (E), Xingsha, Changsha, Hunan, China.
E-mail: internationa@sunward.cc Web: www.sunward.com.cn

SUNWARD