

SWE 35UF

MINI-SIZED EXCAVATOR



SUNWARD INTELLIGENT EQUIPMENT CO.,LTD.

Add: Sunward Industrial Park, No. 1335 Liangtang Road (E), Xingsha, Changsha, Hunan, China

Tel: +86 731 8640 7779 E-mail: marketing@sunward.cc

Web: www.sunward.com.cn

SUNWARD EUROPE HEAVY INDUSTRY N.V

Add:Nijverheidsark 3,3580

Beringen,Belgium

Tel:(0032-011)434666

E_mail:eu@sunward.cc

Please read the manual book and maintenance book before operation, changes are periodically added to the information, and Sunward may change the products or services described in this book at any time without announcement. All rights of this manual book reserve to Sunward. SUNWARD Internal Use Only

SWE 2020

Engine netpower:18.2kW
Machine weight:3850kg



Excellent precisely Operation



Zero-tail swing

The combination of zero-tail swing and arm deviation is designed for narrow and complicated working scenarios.

When it works near a wall foot, it can conduct the excavation directly, free from frequent movement and featuring flexible construction.

High performance Power Engine System and Hydraulic System

It is equipped with the KUBOTA engine in conformity with T4F and Stage V emission standards, providing strong power. It is equipped with a high-performance hydraulic system and relevant elements. The composite actions of boom, arm, bucket and swing motor are harmonic and smooth. It has the highest performance among all excavators with the same weight.



Flat ground operation

The flat ground operation is conducted more smoothly in combination of superstructure swing, boom deviation, dozer blade rising and falling, long and short arms, and collaborative operation between bucket and dozer blade.



Multi-functional auxiliary tools

This excavator is equipped with breaker pipeline (standard) and auxiliary pipeline and hydraulic quick hitch pipeline (optional) instead of hand labor to meet various construction requirements.



KUBOTA engine

It simultaneously meets the emission standards of Stage V (Europe), T4F (North America), and obtains relevant certificates. It can provide strong and environmentally friendly power.

Comfortable cab



Comfortable operation environment

Wider space and view are provided by enlarged front windscreen and sunroof. In addition, an air conditioner (standard configuration), a floating shock absorber seat, a touch radio and stereo acoustics are also provided to ensure a comfortable driving experience.

Safe driving space

A frame supported cab with Fops/Tops safety certificate and a top protective frame (standard configuration) are provided to effectively protect the safety of drivers. In addition, the standard configuration items also include hidden seat belt, safety hammer, pilot locking lever, swing parking brake, traveling parking brake, and engine safety start system.



Easy and convenient switch control
Electronic throttle rotating control and automatic idling functions



Advanced touch-panel monitor



self-diagnosis and maintain warning



working record



language



bluetooth/wifi

1 self-diagnosis

2 fuel level

3 engine speed

4 working voltage

5 working hours

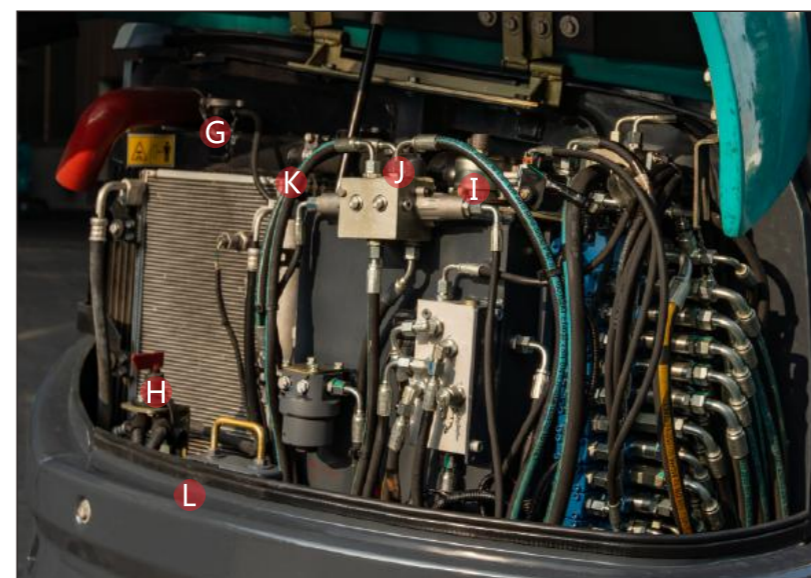
6 water temperature

7 function selection



Easy service

The tail hood and right-hand hood can be opened completely to ensure easy and convenient (a) routine inspection and (b) filter maintenance and replacement. The design of multi-way valve is very conducive to maintenance and repair, free from removal of covering parts.



- | | | | |
|---------------------------------|----------------------------------|-------------------------------|------------------------------|
| A Air filter | B Electric fuel feed pump | C Fuel filter | D Engine oil tank cap |
| E Oil-water separator | F Engine oil filter | G Radiator tank cap | H Battery switch |
| I Hydraulic oil tank cap | J Oil return filter | K Auxiliary water tank | L Battery |
| M Fuel tank cap | N Electronic control box | | |



Steel protection cover



LED working light

Breaker and Auxiliary pipes

Hydraulic quick hitch pipes



Cast aluminium pedal



Transport connector



Cylinder protection plate

Easy service hose design



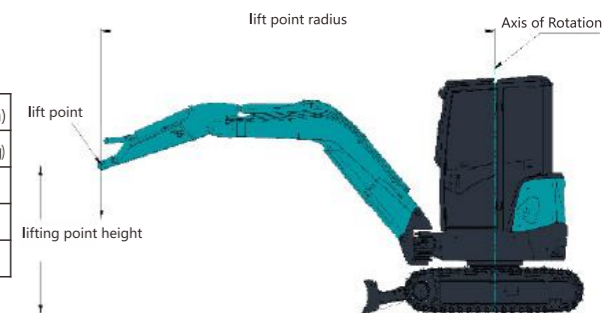
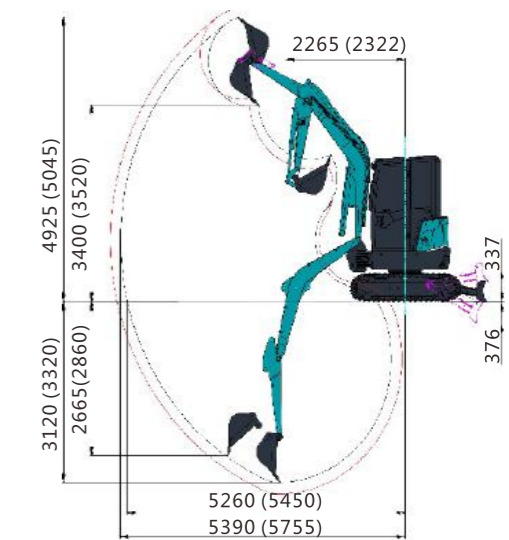
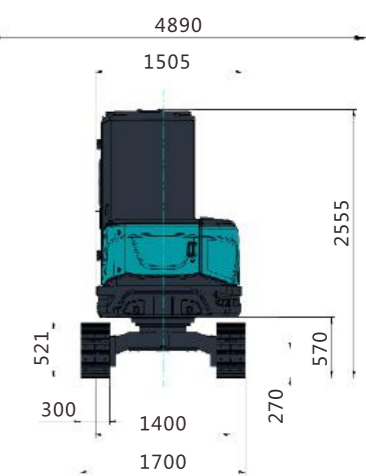
Equipment

The standard and optional equipment varies from country to country. For more information, please contact with us.

Engine		Cab	
Oil filter	●	AM/FM radio	●
Fuel filter	●	Cup holder	●
Oil-water separator	●	Suspension seat	●
Air filter	●	Air conditioning	●
Radiator	●	Engine safety start system	●
Alternator	●	FOPS/TOPS cab	●
Auxiliary water tank	●	FOPS/TOPS Canopy	○
Electronic fuel feed pump	●	Windscreen washer and wiper	●
Muffler	●	Left/right rearview mirror	●
Hydraulic system		Lighter	
Hydraulic pilot control rod	●	Safety device of front windscreen	○
Slewing parking brake system	●	Front working devices	
Traveling parking brake system	●	300 mmbucket	○
Dual-speed traveling system	●	520mmbucket	●
Electro-hydraulic proportional lever	○	600mmbucket	○
Boom safety valve	○	1200mmbucket	○
Arm safety valve	○	Breaker pipeling	●
Dozer blade safety valve	○	Auxiliary pipeling	○
Light		Hydraulic quick hitch pipeline	○
Boom light	●	Track	
Front cab light	●	300mm rubber track	●
Warning light	●	300mm steel track	○

● Standard equipment ○ Optional equipment

SWE35UF Technical Parameters				
Type of cab	Cabin/Canopy			
Bucket capacity, std.	m ³	0.11		
Bucket width	mm	520		
Machine weight	kg	3850/3750		
Dimensions	Overall length	mm	4890	
	Overall height	mm	2555	
	Overall width	mm	1700	
	Ground clearance	mm	270	
Engine	Brand	KUBOTA		
	Model	D1703-E4B-SWD-1		
	Displacement	L	1.647	
	Output	kW/rpm	18.2/2200	
Working ranges	Arm length	mm	1350 1550	
	Max cutting height	mm	4925 5045	
	Max loading height	mm	3400 3520	
	Max digging depth	mm	3120 3320	
	Max vertical wall digging depth	mm	2665 2860	
	Max digging reach	mm	5390 5575	
	Boom swing angle(left/right)	°	72/44	
	Front swing radius	mm	2265 2322	
	Tail swing radius	mm	850	
	Max digging force(Arm)	kN	22.5 20.5	
	Max digging force(Bucket)	kN	31.8	
Track	Type	mm	Rubber track/steel track	
	Track Width	mm	300	
	Track Length	mm	2163	
Undercarrige	Length to center of Rollers	mm	1670	
	Lenhth to center of track	mm	1400	
	Travelling speed(High/Low)	km/h	4.0/2.3	
	Gradeability	°	30	
Swing speed	rpm	9.5		
Ground pressure	kPa	33.99		
Dozer size	Width	mm	1700	
	Height	mm	366	
	Lifting capacity(Height/Depth)	mm	337/376	
Hydraulic pumps	Type	1 variable plunger pump		
	Displacement	L/min	1*88	
	Hydraulic pressure	MPa	24.5	
Fuel tank capacity	L	40		
Hydraulic oil tank capacity	L	41		



Load Capacity:

Lift Point Height	Lift Point Radius(MAX)		Lift Point Radius(4.0m)		Lift Point Radius(3.5m)		Lift Point Radius(3.0m)		Lift Point Radius(2.5m)	
	Over-front(kg)	Over-side(kg)	Over-front(kg)	Over-side(kg)	Over-front(kg)	Over-side(kg)	Over-front(kg)	Over-side(kg)	Over-front(kg)	Over-side(kg)
3.0m	687.3*	382.5	-	-	-	-	-	-	-	-
2.0m	774.3*	292.5	817.8*	382.5	878.7*	472.5	1017.9*	645.0	1226.7*	847.5
1.0	809.1*	262.5	957*	337.5	1078.8*	427.5	1357.2*	555.0	1853.1*	757.5

Notes :

- 1、 Load with * is limited by hydraulic capacity and based on ISO 10567. Rated loads do not exceed 87% of hydraulic capacity.
- 2、 Load without * is limited by tipping load and based on ISO 10567. Rated loads do not exceed 75% of tipping capacity.
- 3、 The excavator bucket, hook, sling and other lifting accessories are not included in this table.